

DE Large flow Air Atomizing Nozzle

DE series large flow air atomizing nozzle adopts multi-atomizing, with its powerful function, is widely used for dust removing and desulfurizing in firepower plant, dust removing and environment protection in chemical plant and cement plant.

Design features

- The nozzle can be a double liquid spray nozzle, with steam or air as its second liquid
- Third class - atomizing to achieve optimum atomizing capability
- Working with high dependability even under the worst condition
- Reducing the dosage of compressed air with its high efficiency



Spraying performance

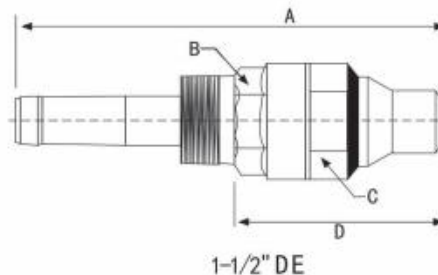
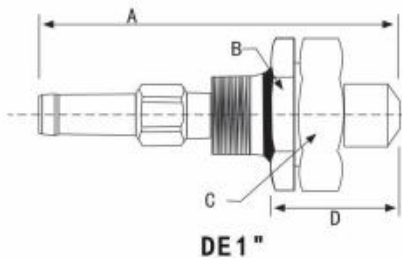
- Spray area: Hollow cone-shaped and flat fan-shaped
- Spray angle: 20 degree to 90 degree (Other angles are available according to the requirement) Flow rate: 2.0 to 80 L/M



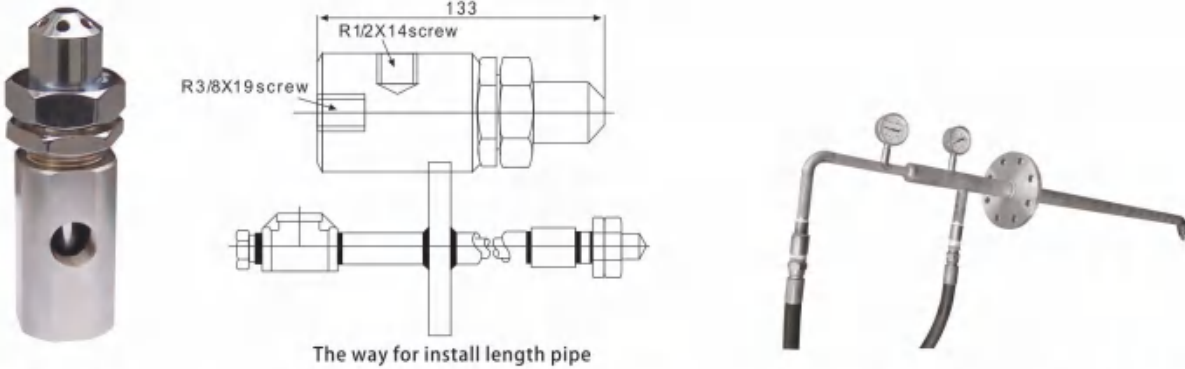
DE spray equipment, spiral tip and size

Tube diameter	spray angle	spray nozzle number	spray angle	spray pattern	maximum droplet size mm	spiry tip number	Dimension mm				Weight (kg)
							A	B	C	D	
1"	14	DE101	20°	narrow round angle	3.30	14	148	50.8	50.8	64	0.64
		DE308	90°		2.69						
		DE310	60°	wide round angle	2.69						
		DE402	90°		4.22						
		DE404	60°	flat round	4.22						
	20	DE103	20°	narrow round angle	6.60	20	148	50.8	50.8	50.8	0.64
		DE307	90°		3.48						
		DE309	60°	wide round angle	3.48						
		DE401	90°		5.21						
		DE403	60°	flat round	5.21						
1 1/2"	28	DE2100	20°	narrow round angle	9.27	28	229	50.8	55.6	113	1.5
		DE2310	90°		4.65						
		DE2303	60°	wide round angle	4.65						

Standard material: 316 stainless steel with cobalt metal wearable jacket



DE can be installed in all ways, as the picture shows, These applications of the device is just for individual customers. If you need more information, please contact the engineering department of CYCO. We can offer a engineering manual of the DE series.



The way for install length pipe

Since when the pressure of the fluid has a tiny change, the flow rate would have a big variation, CYCO kindly advice that you should control the flow rate with metering pump or other metering equipment which would be better.

narrow angle, wide angle and flat fan, 1" to 1 1/2" BSPT or NPT

BSP NPT	capacity	1.0 bar air pressure			2.0 bar air pressure			3.0 bar air pressure			4.0 bar air pressure			5.0 bar air pressure			6.0 bar air pressure			7.0 bar air pressure		
		Liquid l/min	Liquid bar	Air nm ³ /h	Liquid l/min	Liquid bar	Air nm ³ /h	Liquid l/min	Liquid bar	Air nm ³ /h	Liquid l/min	Liquid bar	Air nm ³ /h	Liquid l/min	Liquid bar	Air nm ³ /h	Liquid l/min	Liquid bar	Air nm ³ /h	Liquid l/min	Liquid bar	Air nm ³ /h
1"	14	2	0.9	25.0	2	1.9	45.0	2	2.8	60.2	2	3.7	86.3	2	4.6	105	2	5.7	137	2	6.4	149
		3	0.9	20.2	3	1.9	39.0	3	2.8	56.8	3	3.8	79.8	3	4.7	97.9	3	5.7	136	3	6.5	146
		4	1.0	17.3	4	2.0	29.1	4	2.9	50.8	4	3.8	73	4	4.8	88.9	4	5.9	123	4	6.5	134
					5	2.0	26.8	5	3.0	43.8	5	3.9	64.8	5	4.8	82.6	5	5.9	110	5	6.6	117
					6	2.1	24.4	6	3.0	41.2	6	3.9	57.9	6	4.9	78.3	6	6.1	100	6	6.7	112
					7	2.1	21.9	7	3.0	38.5	7	4.0	53.2	7	5.0	69.9	7	6.2	94.9	7	6.8	107
							8	3.1	35.4	8	4.1	49.9	8	5.0	66.7	8	6.2	88.9	8	6.9	100	
										9	4.1	47.0	9	5.1	64.1	9	6.3	79.8	9	7.0	93.2	
										10	4.2	45.3	10	5.1	60.5	10	6.4	75.2	10	7.1	86.0	
										12	4.4	39.3	12	5.3	53.2	11	6.6	69.6	11	7.2	83.6	
																12	6.6	68.4	12	7.3	80.3	
	1"	20	4	0.2	34.9	4	1.5	64.4	4	2.4	91.7	4	3.2	117	4	4.0	140	4	4.8	161	4	5.6
8			0.8	24.3	8	1.7	45.9	8	2.6	68.1	8	3.5	91.0	8	4.4	114	8	5.2	139	8	6.0	163
					11	1.9	35.8	11	2.9	56.3	11	3.8	78.0	11	4.6	101	11	5.3	125	11	6.0	151
					15	2.1	26.8	15	3.0	45.8	15	3.9	65.2	15	4.8	85.2	15	5.6	105	15	6.4	126
					19	2.2	23.6	19	3.1	39.0	19	4.1	55.9	19	5.0	74.4	19	5.8	94.3	19	6.7	116
					23	2.4	21.8	23	3.3	36.7	23	4.2	51.6	23	5.1	67.2	23	5.9	82.8	23	6.8	96.7
								26	3.5	31.8	26	4.4	46.9	26	5.2	61.6	26	6.1	76.1	26	6.9	90.2
											30	4.5	42.9	30	5.4	55.6	30	6.2	70.4	30	7.1	87.4
											34	4.7	37.0	34	5.6	50.6	34	6.5	62.7	34	7.3	73.2
											38	5.0	32.4	38	5.9	47.2	38	6.7	57.8	38	7.5	64.2
1 1/2"	28							40	3.1	76.3	40	4.0	107	40	5.0	142	40	6.0	183	40	7.0	229
								45	3.2	69.0	45	4.2	97.4	45	5.2	130	45	6.2	167	45	7.3	208
								50	3.3	61.8	50	4.2	88.4	50	5.2	118	50	6.3	152	50	7.3	189
								55	3.4	55.5	55	4.3	80.7	55	5.3	109	55	6.3	141	55	7.4	175
								60	3.5	49.1	60	4.4	73.2	60	5.4	100	60	6.4	130	60	7.5	162
								65	3.6	43.1	65	4.6	66.3	65	5.6	92.3	65	6.6	121	65	7.6	152
								70	3.8	37.5	70	4.8	60.2	70	5.8	85.8	70	6.8	114	70	7.9	145
								75	4.0	32.1	75	5.0	54.6	75	6.1	80.2	75	7.1	109	75	8.2	141
						80	4.2	27.1	80	5.2	49.8	80	6.2	76.0	80	7.2	106	80	8.2	139		

standard material :316 stainless steel, co alloy 6 weared sheath. Other material please find the stock list as reference. Please clearly indicate: the pipe diameter, way of connection, nozzle type, spray angle and material.